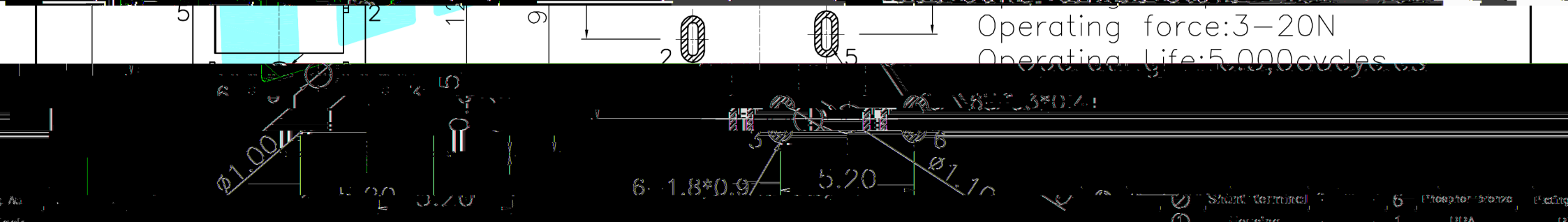


Operating temperature: $20^{\circ}\text{C} \sim 70^{\circ}\text{C}$

Operating force: 3-20N
 Operating Life: 5,000 cycles



Shield terminal	6	Proprietary	13
housing	1	PPA	